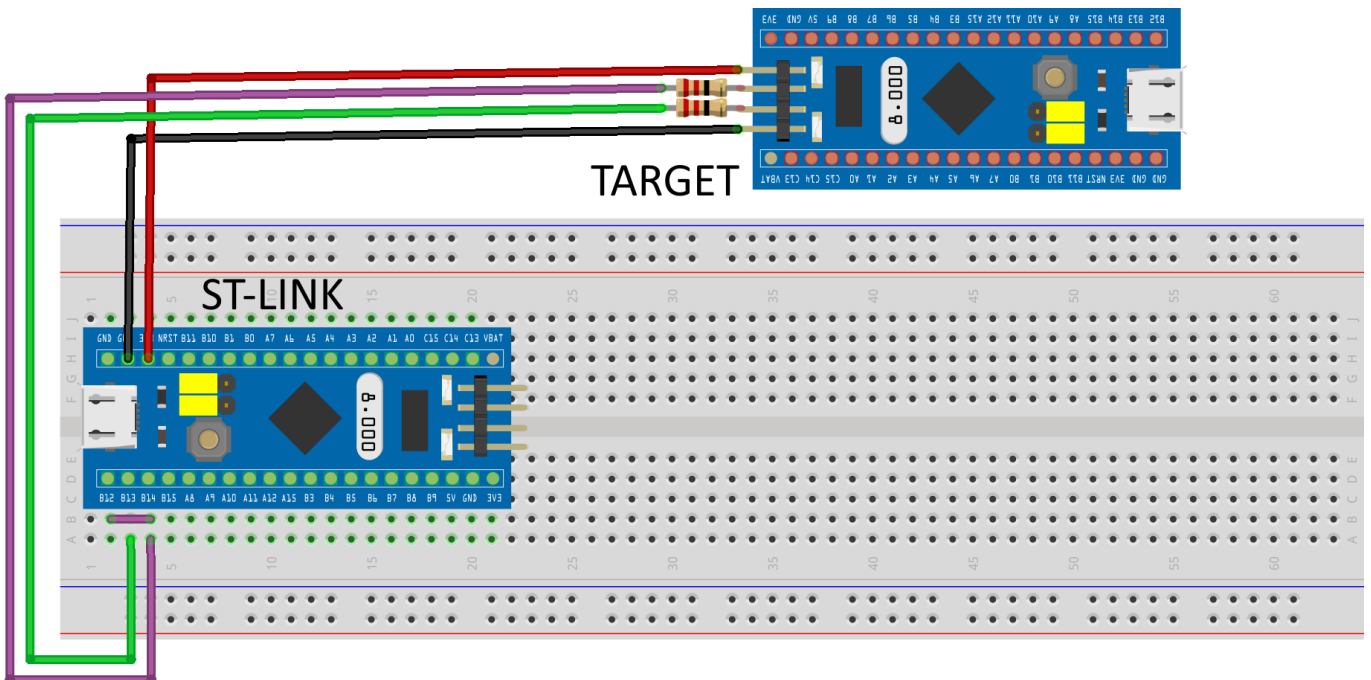




[St Link V2 Usb Driver Exe](#)



fritzing

[St Link V2 Usb Driver Exe](#)



- LED is GREEN: the last communication has been successful
- LED is ORANGE: ST-LINK/V2 communication with the target has failed.. Download STM32 ST-Link Utility for free The STM32 ST-LINK utility software facilitates fast in-system programming of the STM32 microcontroller families in development environments via the ST-LINK and ST-LINK/V2 tools.. The single wire interface module (SWIM) and JTAG/serial wire debugging (SWD) interfaces are used to communicate with any STM8 or STM32 microcontroller located on an application board.

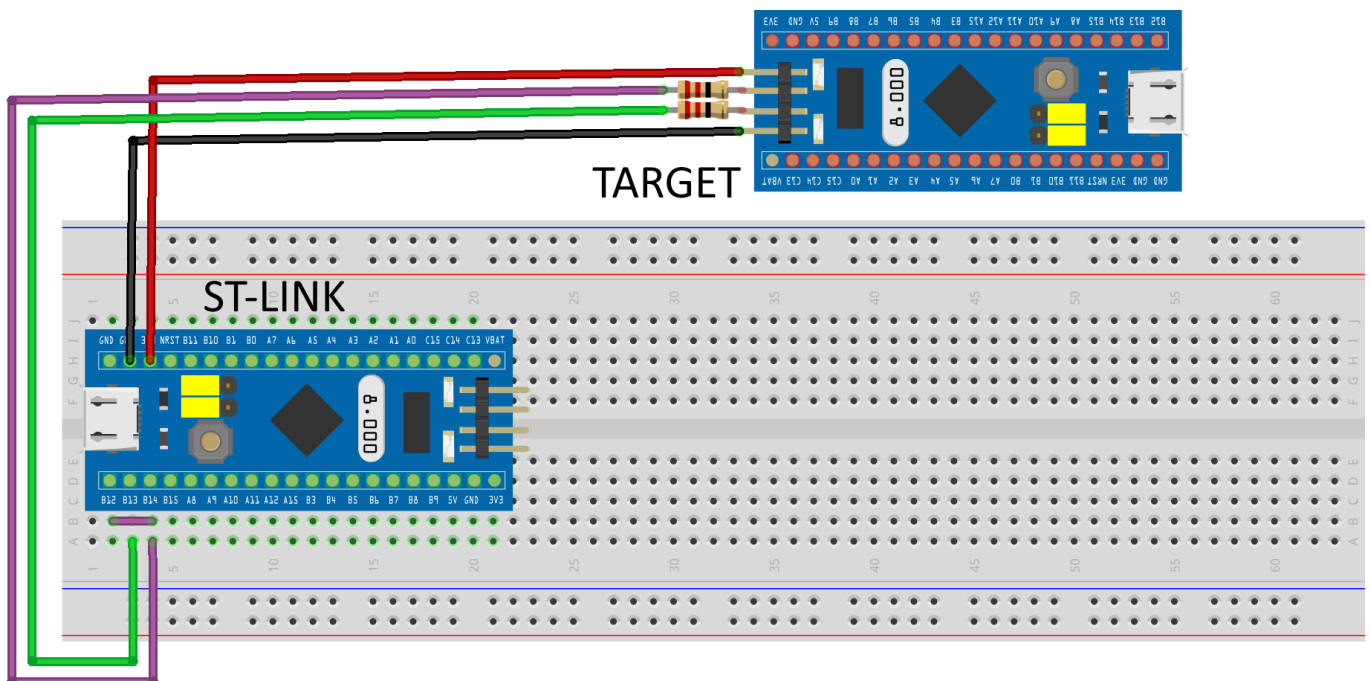
1. [link driver](#)
2. [lynk driver app](#)
3. [lynk driver customer care number](#)

- LED is blinking GREEN/RED: data are being exchanged between the target and the PC.. ST-LINK/V2, in-circuit debugger/programmer for STM8 and STM32 Description The ST-LINK/V2 is an in-circuit debugger and programmer for the STM8 and STM32 microcontroller families.. STM32 applications use the USB full speed interface to communicate with Atollic, IAR, Keil or TASKING integrated development environments.. If it keeps blinking RED, maybe the USB driver is NOT found
- LED is RED: communication between ST-LINK/V2 and the PC is established (end of enumeration).

## link driver

link driver, link drivers ed, lynk driver app, link driver shopee food, lynk driver customer care number, lynk driver, lynk driver salary, lynk driver login, lynk driver app download, lynk driver jobs in chennai, lynk driver jobs [Zapatlela 1993 Marathi Movie Mp3 Songs Free Download](#)

Connecting with STM32 application board ST-LINK/V2 Status The LED labeled 'COM' on top of the ST-LINK/V2 shows the ST-LINK/V2 status (whatever the connection type). [Directory List Print Pro Serial Number](#)



fritzing

[Visual Studio Express 2013 For Web Download](#)

---

## lynk driver app

[Character Generator 2011 herunterladen frei 64 bits DE](#)

STM8 applications use the USB full speed interface to communicate with STMicroelectronic's ST Visual Develop (STVD) or ST Visual Program (STVP) software.. When the: • LED is blinking RED: the first USB enumeration with the PC is taking place. [Vector magic desktop edition v1.15 keygen](#)

## lynk driver customer care number

[How Many Missions Are In Doom download free last version](#)

ae05505a44 [تحميل لعبة تعليم قيادة السيارة من الداخل حقيقية](#)

ae05505a44

[Property Marlborough Sale](#)